

**BUF634**

## 250mA HIGH-SPEED BUFFER

### FEATURES

- HIGH OUTPUT CURRENT: 250mA
- SLEW RATE: 2000V/ $\mu$ s
- PIN-SELECTED BANDWIDTH: 30MHz to 180MHz
- LOW QUIESCENT CURRENT: 1.5mA (30MHz BW)
- WIDE SUPPLY RANGE:  $\pm 2.25$  to  $\pm 18$ V
- INTERNAL CURRENT LIMIT
- THERMAL SHUTDOWN PROTECTION
- 8-PIN DIP, SO-8, 5-LEAD TO-220, 5-LEAD DDPK SURFACE-MOUNT

### APPLICATIONS

- VALVE DRIVER
- SOLENOID DRIVER
- OP AMP CURRENT BOOSTER
- LINE DRIVER
- HEADPHONE DRIVER
- VIDEO DRIVER
- MOTOR DRIVER
- TEST EQUIPMENT
- ATE PIN DRIVER

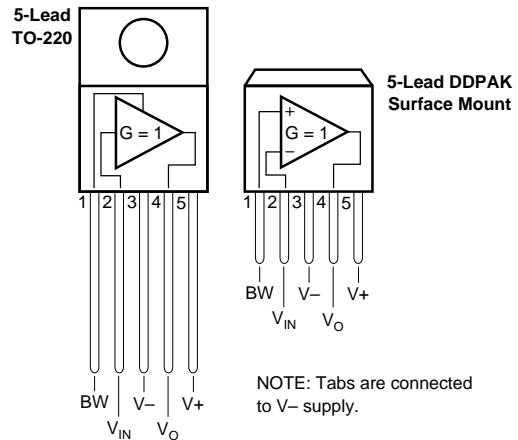
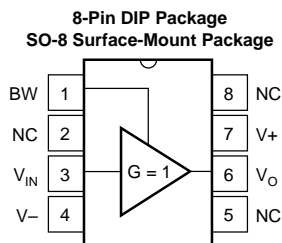
### DESCRIPTION

The BUF634 is a high speed unity-gain open-loop buffer recommended for a wide range of applications. It can be used inside the feedback loop of op amps to increase output current, eliminate thermal feedback and improve capacitive load drive.

For low power applications, the BUF634 operates on 1.5mA quiescent current with 250mA output, 2000V/ $\mu$ s slew rate and 30MHz bandwidth. Bandwidth can be adjusted from 30MHz to 180MHz by connecting a resistor between  $V_-$  and the BW Pin.

Output circuitry is fully protected by internal current limit and thermal shut-down making it rugged and easy to use.

The BUF634 is available in a variety of packages to suit mechanical and power dissipation requirements. Types include 8-pin DIP, SO-8 surface-mount, 5-lead TO-220, and a 5-lead DDPK surface-mount plastic power package.



International Airport Industrial Park • Mailing Address: PO Box 11400, Tucson, AZ 85734 • Street Address: 6730 S. Tucson Blvd., Tucson, AZ 85706 • Tel: (520) 746-1111 • Twx: 910-952-1111  
Internet: <http://www.burr-brown.com/> • FAXLine: (800) 548-6133 (US/Canada Only) • Cable: BBRCORP • Telex: 066-6491 • FAX: (520) 889-1510 • Immediate Product Info: (800) 548-6132

# SPECIFICATIONS

## ELECTRICAL

At  $T_A = +25^\circ\text{C}^{(1)}$ ,  $V_S = \pm 15\text{V}$ , unless otherwise noted.

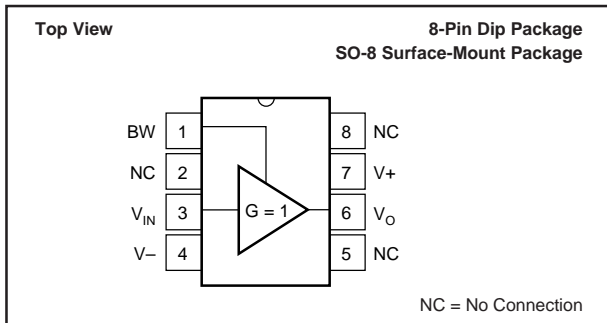
| PARAMETER                         | CONDITION  | BUF634P, U, T, F           |                  |           |                     |           |                                      | UNITS                        |
|-----------------------------------|--|----------------------------|------------------|-----------|---------------------|-----------|--------------------------------------|------------------------------|
|                                   |  | LOW QUIESCENT CURRENT MODE |                  |           | WIDE BANDWIDTH MODE |           |                                      |                              |
|                                   |  | MIN                        | TYP              | MAX       | MIN                 | TYP       | MAX                                  |                              |
| <b>INPUT</b>                      |  |                            |                  |           |                     |           |                                      |                              |
| Offset Voltage                    | Specified Temperature Range<br>$V_S = \pm 2.25\text{V}^{(2)}$ to $\pm 18\text{V}$<br>$V_{IN} = 0\text{V}$<br>$R_L = 100\Omega$<br>$f = 10\text{kHz}$ |                            | $\pm 30$         | $\pm 100$ |                     | *         | *                                    | mV                           |
| vs Temperature                    |  |                            | $\pm 100$        |           |                     | *         | *                                    | $\mu\text{V}/^\circ\text{C}$ |
| vs Power Supply                   |  |                            | 0.1              | 1         |                     | *         | *                                    | mV/V                         |
| Input Bias Current                |  |                            | $\pm 0.5$        | $\pm 2$   |                     | $\pm 5$   | $\pm 20$                             | $\mu\text{A}$                |
| Input Impedance                   |  |                            | $80 \parallel 8$ |           | $8 \parallel 8$     |           | $\text{M}\Omega \parallel \text{pF}$ |                              |
| Noise Voltage                     |  |                            | 4                |           | *                   |           | $\text{nV}/\sqrt{\text{Hz}}$         |                              |
| <b>GAIN</b>                       |  |                            |                  |           |                     |           |                                      |                              |
|                                   | $R_L = 1\text{k}\Omega$ , $V_O = \pm 10\text{V}$   | 0.95                       | 0.99             |           | *                   | *         | V/V                                  |                              |
|                                   | $R_L = 100\Omega$ , $V_O = \pm 10\text{V}$   | 0.85                       | 0.93             |           | *                   | *         | V/V                                  |                              |
|                                   | $R_L = 67\Omega$ , $V_O = \pm 10\text{V}$  | 0.8                        | 0.9              |           | *                   | *         | V/V                                  |                              |
| <b>OUTPUT</b>                     |  |                            |                  |           |                     |           |                                      |                              |
| Current Output, Continuous        |  |                            | $\pm 250$        |           |                     | *         |                                      | mA                           |
| Voltage Output, Positive          | $I_O = 10\text{mA}$  | (V+) -2.1                  | (V+) -1.7        |           | *                   | *         |                                      | V                            |
| Negative                          | $I_O = -10\text{mA}$   | (V-) +2.1                  | (V-) +1.8        |           | *                   | *         |                                      | V                            |
| Positive                          | $I_O = 100\text{mA}$   | (V+) -3                    | (V+) -2.4        |           | *                   | *         |                                      | V                            |
| Negative                          | $I_O = -100\text{mA}$  | (V-) +4                    | (V-) +3.5        |           | *                   | *         |                                      | V                            |
| Positive                          | $I_O = 150\text{mA}$   | (V+) -4                    | (V+) -2.8        |           | *                   | *         |                                      | V                            |
| Negative                          | $I_O = -150\text{mA}$  | (V-) +5                    | (V-) +4          |           | *                   | *         |                                      | V                            |
| Short-Circuit Current             |  |                            | $\pm 350$        | $\pm 550$ |                     | $\pm 400$ | *                                    | mA                           |
| <b>DYNAMIC RESPONSE</b>           |  |                            |                  |           |                     |           |                                      |                              |
| Bandwidth, -3dB                   | $R_L = 1\text{k}\Omega$  |                            | 30               |           |                     | 180       |                                      | MHz                          |
|                                   | $R_L = 100\Omega$  |                            | 20               |           |                     | 160       |                                      | MHz                          |
| Slew Rate                         | 20Vp-p, $R_L = 100\Omega$  |                            | 2000             |           |                     | *         |                                      | V/ $\mu\text{s}$             |
| Settling Time, 0.1%               | 20V Step, $R_L = 100\Omega$  |                            | 200              |           |                     | *         |                                      | ns                           |
| 1%                                | 20V Step, $R_L = 100\Omega$  |                            | 50               |           |                     | *         |                                      | ns                           |
| Differential Gain                 | 3.58MHz, $V_O = 0.7\text{V}$ , $R_L = 150\Omega$   |                            | 4                |           |                     | 0.4       |                                      | %                            |
| Differential Phase                | 3.58MHz, $V_O = 0.7\text{V}$ , $R_L = 150\Omega$   |                            | 2.5              |           |                     | 0.1       |                                      | °                            |
| <b>POWER SUPPLY</b>               |  |                            |                  |           |                     |           |                                      |                              |
| Specified Operating Voltage       |  |                            | $\pm 15$         |           |                     | *         | *                                    | V                            |
| Operating Voltage Range           |  | $\pm 2.25^{(2)}$           |                  | $\pm 18$  | *                   |           | *                                    | V                            |
| Quiescent Current, $I_Q$          | $I_O = 0$  |                            | $\pm 1.5$        | $\pm 2$   |                     | $\pm 15$  | $\pm 20$                             | mA                           |
| <b>TEMPERATURE RANGE</b>          |  |                            |                  |           |                     |           |                                      |                              |
| Specification                     |  | -40                        |                  | +85       | *                   |           | *                                    | °C                           |
| Operating                         |  | -40                        |                  | +125      | *                   |           | *                                    | °C                           |
| Storage                           |  | -55                        |                  | +125      | *                   |           | *                                    | °C                           |
| Thermal Shutdown                  |  |                            |                  |           |                     |           |                                      |                              |
| Temperature, $T_J$                |  |                            | 175              |           |                     | *         |                                      | °C                           |
| Thermal Resistance, $\theta_{JA}$ | "P" Package <sup>(3)</sup>   |                            | 100              |           |                     | *         |                                      | °C/W                         |
| $\theta_{JA}$                     | "U" Package <sup>(3)</sup>   |                            | 150              |           |                     | *         |                                      | °C/W                         |
| $\theta_{JA}$                     | "T" Package <sup>(3)</sup>   |                            | 65               |           |                     | *         |                                      | °C/W                         |
| $\theta_{JC}$                     | "T" Package  |                            | 6                |           |                     | *         |                                      | °C/W                         |
| $\theta_{JA}$                     | "F" Package <sup>(3)</sup>   |                            | 65               |           |                     | *         |                                      | °C/W                         |
| $\theta_{JC}$                     | "F" Package  |                            | 6                |           |                     | *         |                                      | °C/W                         |
|                                   |  |                            |                  |           |                     |           |                                      |                              |

\* Specifications the same as Low Quiescent Mode.

NOTES: (1) Tests are performed on high speed automatic test equipment, at approximately  $25^\circ\text{C}$  junction temperature. The power dissipation of this product will cause some parameters to shift when warmed up. See typical performance curves for over-temperature performance. (2) Limited output swing available at low supply voltage. See Output voltage specifications. (3) Typical when all leads are soldered to a circuit board. See text for recommendations.

The information provided herein is believed to be reliable; however, BURR-BROWN assumes no responsibility for inaccuracies or omissions. BURR-BROWN assumes no responsibility for the use of this information, and all use of such information shall be entirely at the user's own risk. Prices and specifications are subject to change without notice. No patent rights or licenses to any of the circuits described herein are implied or granted to any third party. BURR-BROWN does not authorize or warrant any BURR-BROWN product for use in life support devices and/or systems.

## PIN CONFIGURATION



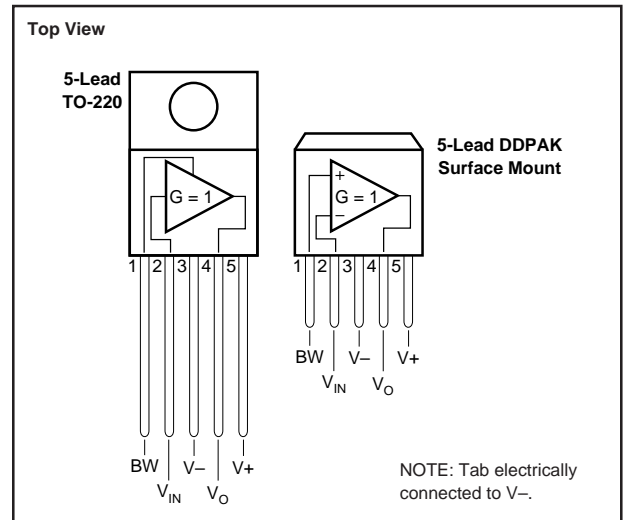
## ABSOLUTE MAXIMUM RATINGS

|   |                                   |
|---|-----------------------------------|
| Supply Voltage .....                    | $\pm 18V$                         |
| Input Voltage Range .....               | $\pm V_S$                         |
| Output Short-Circuit (to ground) .....  | Continuous                        |
| Operating Temperature .....             | $-40^{\circ}C$ to $+125^{\circ}C$ |
| Storage Temperature .....               | $-55^{\circ}C$ to $+125^{\circ}C$ |
| Junction Temperature .....              | $+150^{\circ}C$                   |
| Lead Temperature (soldering, 10s) ..... | $+300^{\circ}C$                   |

## PACKAGE/ORDERING INFORMATION

| PRODUCT | PACKAGE            | PACKAGE DRAWING NUMBER <sup>(1)</sup> | TEMPERATURE RANGE                |
|---------|--------------------|---------------------------------------|----------------------------------|
| BUF634P | 8-Pin Plastic DIP  | 006                                   | $-40^{\circ}C$ to $+85^{\circ}C$ |
| BUF634U | SO-8 Surface-Mount | 182                                   | $-40^{\circ}C$ to $+85^{\circ}C$ |
| BUF634T | 5-Lead TO-220      | 315                                   | $-40^{\circ}C$ to $+85^{\circ}C$ |
| BUF634F | 5-Lead DPAK        | 325                                   | $-40^{\circ}C$ to $+85^{\circ}C$ |

NOTE: (1) For detailed drawing and dimension table, please see end of data sheet, or Appendix C of Burr-Brown IC Data Book.



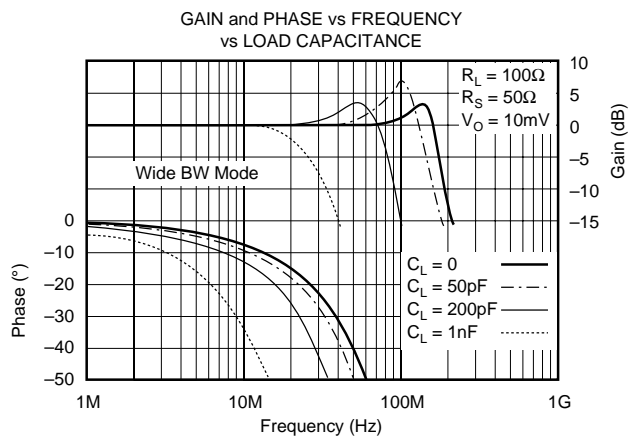
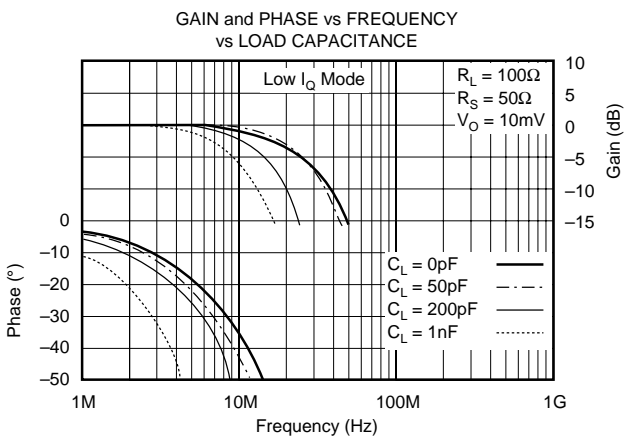
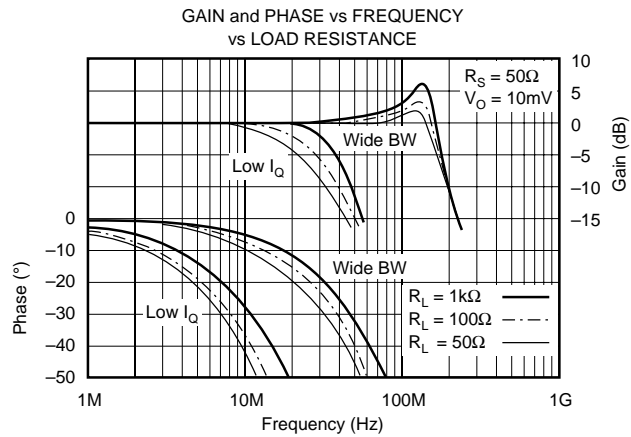
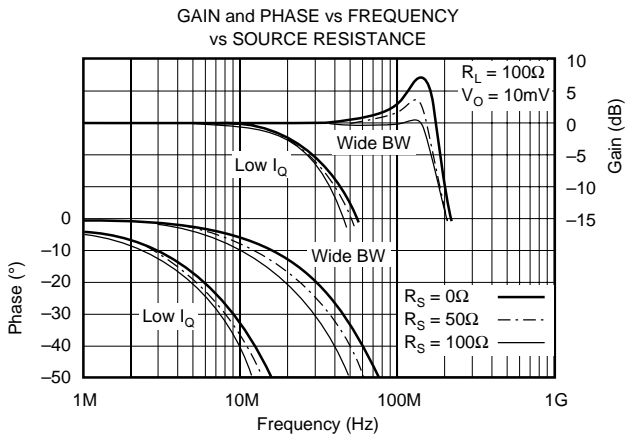
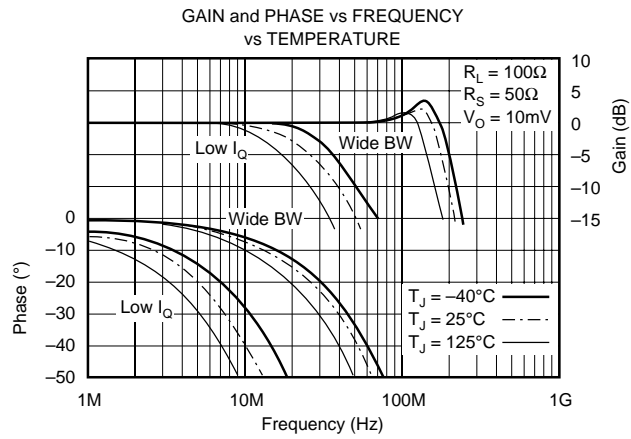
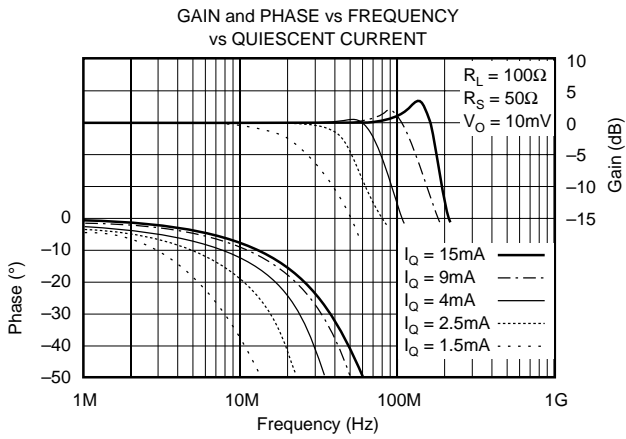
## ELECTROSTATIC DISCHARGE SENSITIVITY

Any integrated circuit can be damaged by ESD. Burr-Brown recommends that all integrated circuits be handled with appropriate precautions. Failure to observe proper handling and installation procedures can cause damage.

ESD damage can range from subtle performance degradation to complete device failure. Precision integrated circuits may be more susceptible to damage because very small parametric changes could cause the device not to meet published specifications.

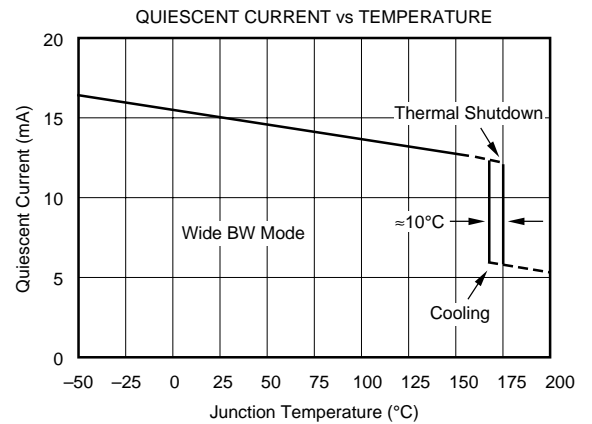
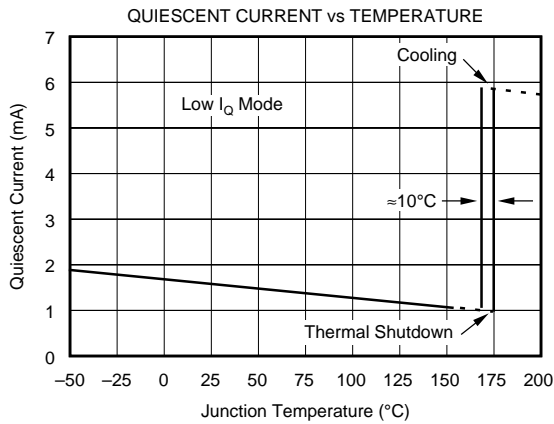
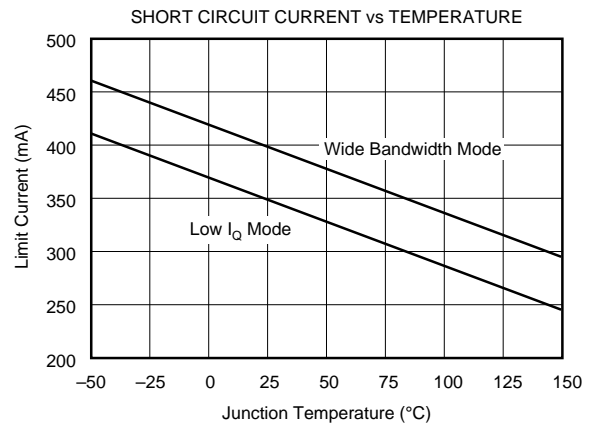
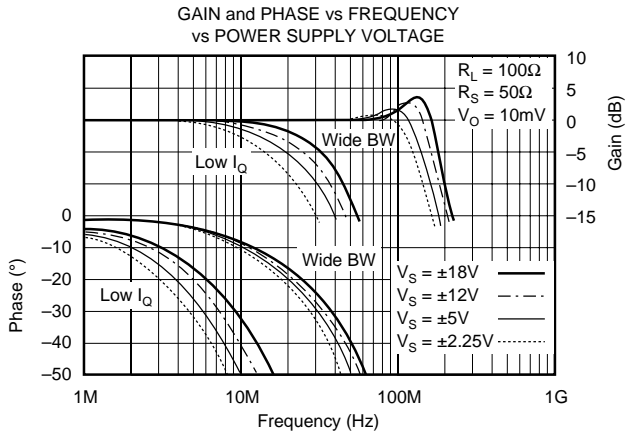
# TYPICAL PERFORMANCE CURVES

At  $T_A = +25^\circ\text{C}$ ,  $V_S = \pm 15\text{V}$ , unless otherwise noted.



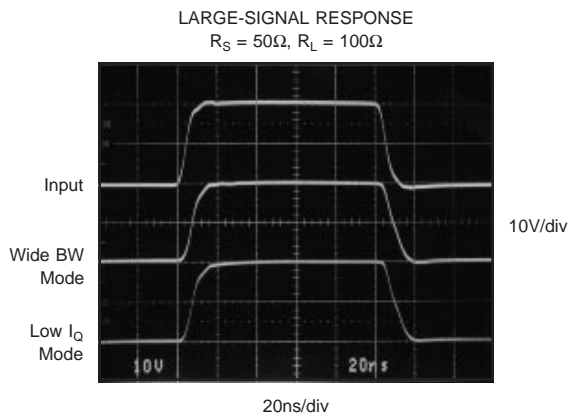
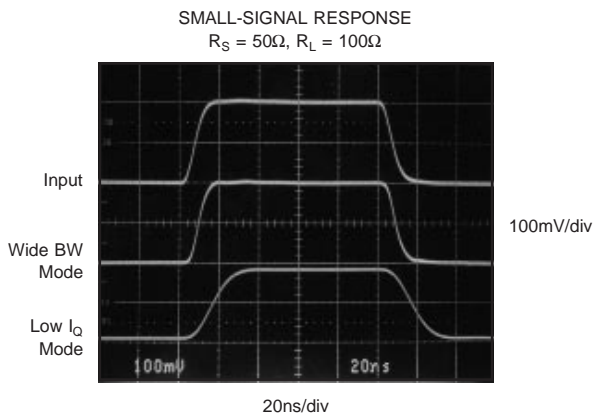
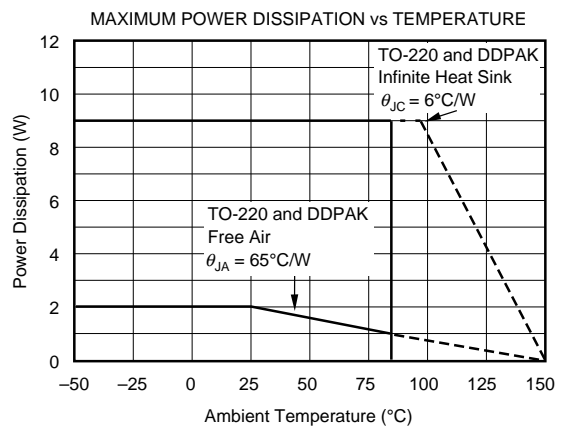
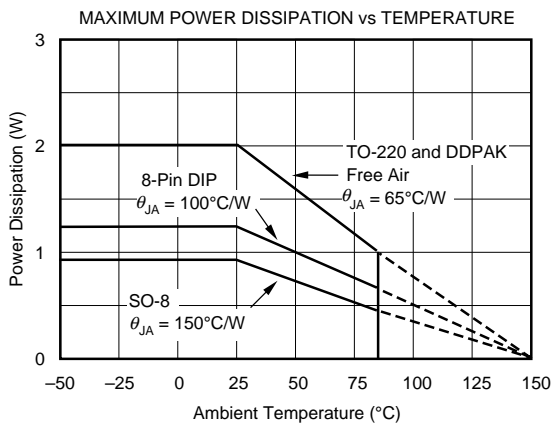
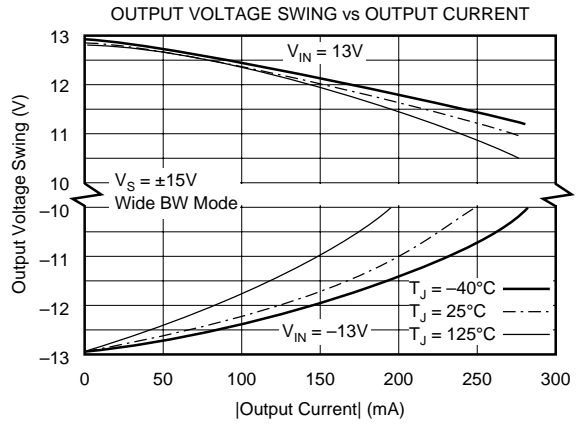
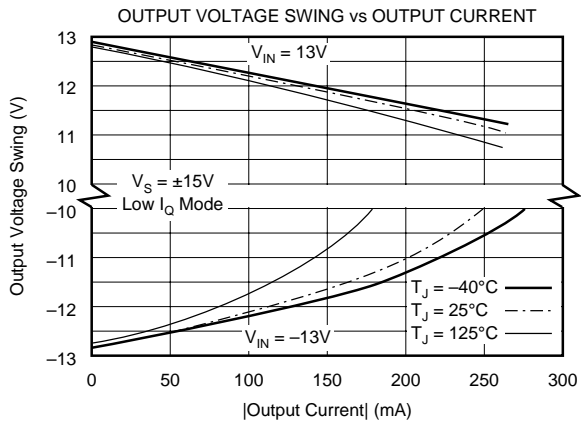
# TYPICAL PERFORMANCE CURVES (CONT)

At  $T_A = +25^\circ\text{C}$ ,  $V_S = \pm 15\text{V}$ , unless otherwise noted.



# TYPICAL PERFORMANCE CURVES (CONT)

At  $T_A = +25^\circ\text{C}$ ,  $V_S = \pm 15\text{V}$ , unless otherwise noted.



## APPLICATION INFORMATION

Figure 1 is a simplified circuit diagram of the BUF634 showing its open-loop complementary follower design.

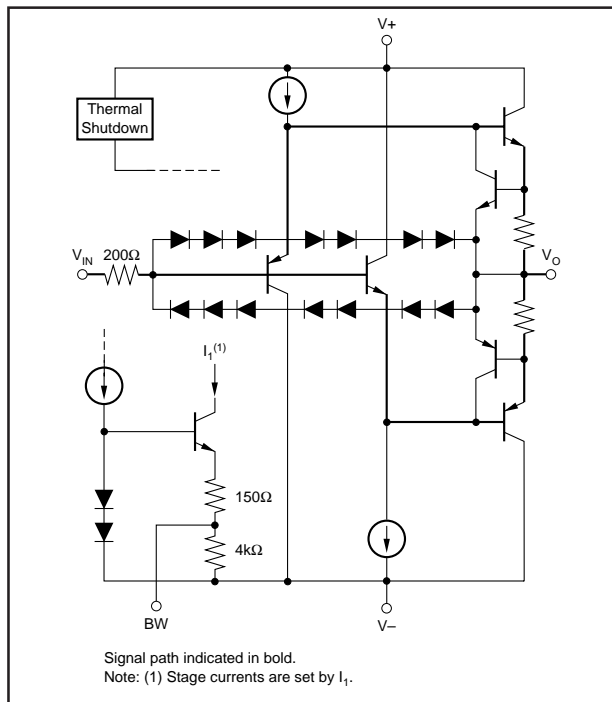


FIGURE 1. Simplified Circuit Diagram.

Figure 2 shows the BUF634 connected as an open-loop buffer. The source impedance and optional input resistor,  $R_S$ , influence frequency response—see typical curves. Power supplies should be bypassed with capacitors connected close to the device pins. Capacitor values as low as 0.1 $\mu$ F will assure stable operation in most applications, but high output current and fast output slewing can demand large current transients from the power supplies. Solid tantalum 10 $\mu$ F capacitors are recommended.

High frequency open-loop applications may benefit from special bypassing and layout considerations—see “High Frequency Applications” at end of applications discussion.

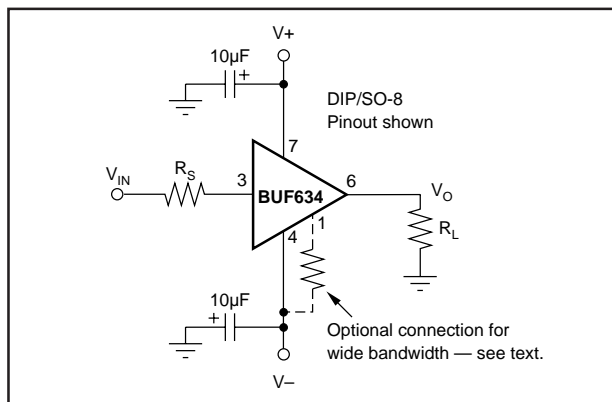


FIGURE 2. Buffer Connections.

## OUTPUT CURRENT

The BUF634 can deliver up to  $\pm 250$ mA continuous output current. Internal circuitry limits output current to approximately  $\pm 350$ mA—see typical performance curve “Short Circuit Current vs Temperature”. For many applications, however, the continuous output current will be limited by thermal effects.

The output voltage swing capability varies with junction temperature and output current—see typical curves “Output Voltage Swing vs Output Current.” Although all four package types are tested for the same output performance using a high speed test, the higher junction temperatures with the DIP and SO-8 package types will often provide less output voltage swing. Junction temperature is reduced in the DDPACK surface-mount power package because it is soldered directly to the circuit board. The TO-220 package used with a good heat sink further reduces junction temperature, allowing maximum possible output swing.

## THERMAL PROTECTION

Power dissipated in the BUF634 will cause the junction temperature to rise. A thermal protection circuit in the BUF634 will disable the output when the junction temperature reaches approximately 175°C. When the thermal protection is activated, the output stage is disabled, allowing the device to cool. Quiescent current is approximately 6mA during thermal shutdown. When the junction temperature cools to approximately 165°C the output circuitry is again enabled. This can cause the protection circuit to cycle on and off with a period ranging from a fraction of a second to several minutes or more, depending on package type, signal, load and thermal environment.

The thermal protection circuit is designed to prevent damage during abnormal conditions. Any tendency to activate the thermal protection circuit during normal operation is a sign of an inadequate heat sink or excessive power dissipation for the package type.

TO-220 package provides the best thermal performance. When the TO-220 is used with a properly sized heat sink, output is not limited by thermal performance. See Application Bulletin AB-037 for details on heat sink calculations. The DDPACK also has excellent thermal characteristics. Its mounting tab should be soldered to a circuit board copper area for good heat dissipation. Figure 3 shows typical thermal resistance from junction to ambient as a function of the copper area. The mounting tab of the TO-220 and DDPACK packages is electrically connected to the  $V-$  power supply.

The DIP and SO-8 surface-mount packages are excellent for applications requiring high output current with low average power dissipation. To achieve the best possible thermal performance with the DIP or SO-8 packages, solder the device directly to a circuit board. Since much of the heat is dissipated by conduction through the package pins, sockets will degrade thermal performance. Use wide circuit board traces on all the device pins, including pins that are not connected. With the DIP package, use traces on both sides of the printed circuit board if possible.



FIGURE 3. Thermal Resistance vs Circuit Board Copper Area.

### POWER DISSIPATION

Power dissipation depends on power supply voltage, signal and load conditions. With DC signals, power dissipation is equal to the product of output current times the voltage across the conducting output transistor,  $V_S - V_O$ . Power dissipation can be minimized by using the lowest possible power supply voltage necessary to assure the required output voltage swing.

For resistive loads, the maximum power dissipation occurs at a DC output voltage of one-half the power supply voltage. Dissipation with AC signals is lower. Application Bulletin AB-039 explains how to calculate or measure power dissipation with unusual signals and loads.

Any tendency to activate the thermal protection circuit indicates excessive power dissipation or an inadequate heat sink. For reliable operation, junction temperature should be limited to 150°C, maximum. To estimate the margin of safety in a complete design, increase the ambient temperature until the thermal protection is triggered. The thermal protection should trigger more than 45°C above the maximum expected ambient condition of your application.

### INPUT CHARACTERISTICS

Internal circuitry is protected with a diode clamp connected from the input to output of the BUF634—see Figure 1. If the output is unable to follow the input within approximately 3V (such as with an output short-circuit), the input will conduct increased current from the input source. This is limited by the internal 200Ω resistor. If the input source can be damaged by this increase in load current, an additional resistor can be connected in series with the input.

### BANDWIDTH CONTROL PIN

The -3dB bandwidth of the BUF634 is approximately 30MHz in the low quiescent current mode (1.5mA typical). To select this mode, leave the bandwidth control pin open (no connection).

Bandwidth can be extended to approximately 180MHz by connecting the bandwidth control pin to V-. This increases

the quiescent current to approximately 15mA. Intermediate bandwidths can be set by connecting a resistor in series with the bandwidth control pin—see typical curve "Quiescent Current vs Resistance" for resistor selection. Characteristics of the bandwidth control pin can be seen in the simplified circuit diagram, Figure 1.

The rated output current and slew rate are not affected by the bandwidth control, but the current limit value changes slightly. Output voltage swing is somewhat improved in the wide bandwidth mode. The increased quiescent current when in wide bandwidth mode produces greater power dissipation during low output current conditions. This quiescent power is equal to the total supply voltage,  $(V+) + |(V-)|$ , times the quiescent current.

### BOOSTING OP AMP OUTPUT CURRENT

The BUF634 can be connected inside the feedback loop of most op amps to increase output current—see Figure 4. When connected inside the feedback loop, the BUF634's offset voltage and other errors are corrected by the feedback of the op amp.

To assure that the op amp remains stable, the BUF634's phase shift must remain small throughout the loop gain of the circuit. For a  $G=+1$  op amp circuit, the BUF634 must contribute little additional phase shift (approximately 20° or less) at the unity-gain frequency of the op amp. Phase shift is affected by various operating conditions that may affect stability of the op amp—see typical Gain and Phase curves.

Most general-purpose or precision op amps remain unity-gain stable with the BUF634 connected inside the feedback loop as shown. Large capacitive loads may require the BUF634 to be connected for wide bandwidth for stable operation. High speed or fast-settling op amps generally require the wide bandwidth mode to remain stable and to assure good dynamic performance. To check for stability with an op amp, look for oscillations or excessive ringing on signal pulses with the intended load and worst case conditions that affect phase response of the buffer.



## HIGH FREQUENCY APPLICATIONS

The BUF634's excellent bandwidth and fast slew rate make it useful in a variety of high frequency open-loop applications. When operated open-loop, circuit board layout and bypassing technique can affect dynamic performance.

For best results, use a ground plane type circuit board layout and bypass the power supplies with 0.1 $\mu$ F ceramic chip

capacitors at the device pins in parallel with solid tantalum 10 $\mu$ F capacitors. Source resistance will affect high-frequency peaking and step response overshoot and ringing. Best response is usually achieved with a series input resistor of 25 $\Omega$  to 200 $\Omega$ , depending on the signal source. Response with some loads (especially capacitive) can be improved with a resistor of 10 $\Omega$  to 150 $\Omega$  in series with the output.

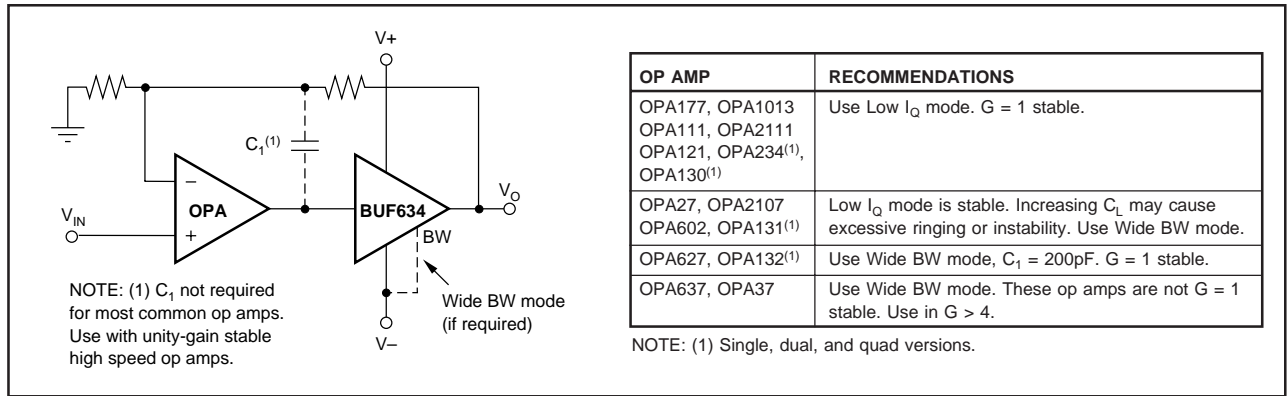


FIGURE 4. Boosting Op Amp Output Current.

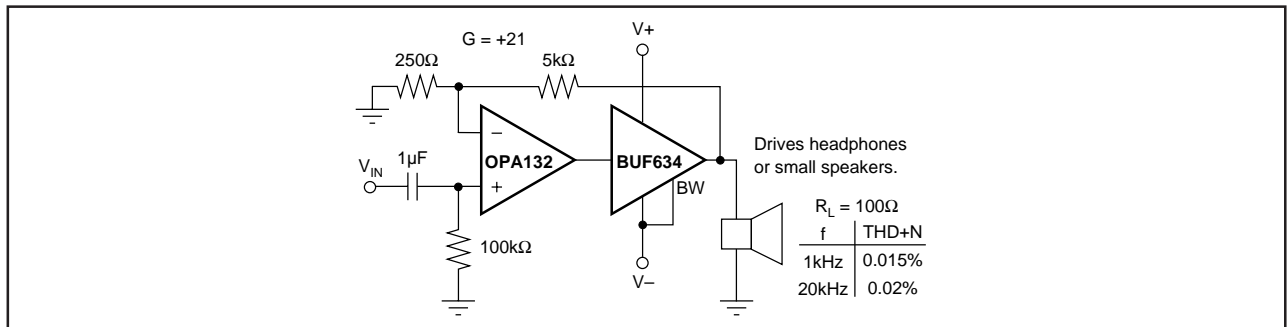


FIGURE 5. High Performance Headphone Driver.

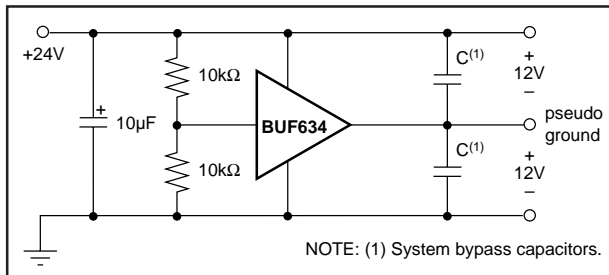


FIGURE 6. Pseudo-Ground Driver.

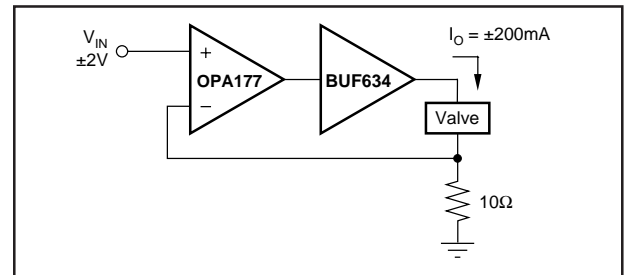


FIGURE 7. Current-Output Valve Driver.

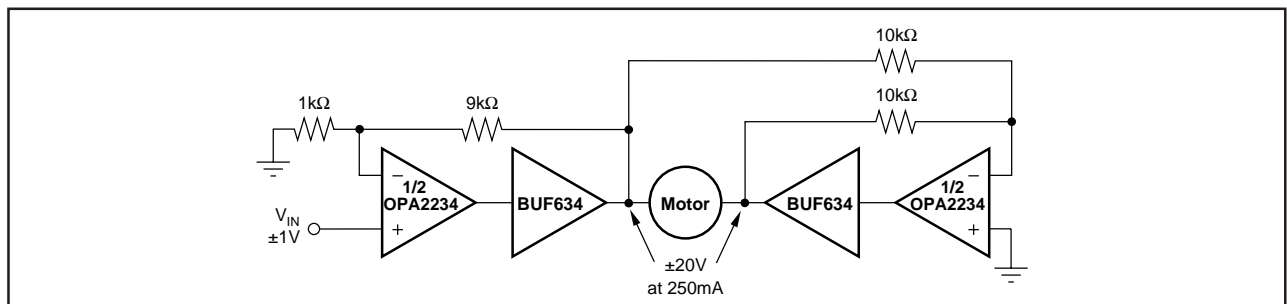


FIGURE 8. Bridge-Connected Motor Driver.

PACKAGING INFORMATION

| Orderable Device | Status <sup>(1)</sup> | Package Type     | Package Drawing | Pins | Package Qty | Eco Plan <sup>(2)</sup>    | Lead/Ball Finish | MSL Peak Temp <sup>(3)</sup> |
|------------------|-----------------------|------------------|-----------------|------|-------------|----------------------------|------------------|------------------------------|
| BUF634F          | OBSOLETE              | DDPAK/<br>TO-263 | KTT             | 5    |             | TBD                        | Call TI          | Call TI                      |
| BUF634F/500      | ACTIVE                | DDPAK/<br>TO-263 | KTT             | 5    | 500         | Pb-Free<br>(RoHS)          | CU SN            | Level-2-260C-1 YEAR          |
| BUF634F/500E3    | ACTIVE                | DDPAK/<br>TO-263 | KTT             | 5    | 500         | Pb-Free<br>(RoHS)          | CU SN            | Level-2-260C-1 YEAR          |
| BUF634FKTTT      | ACTIVE                | DDPAK/<br>TO-263 | KTT             | 5    | 50          | Pb-Free<br>(RoHS)          | CU SN            | Level-2-260C-1 YEAR          |
| BUF634FKTTTE3    | ACTIVE                | DDPAK/<br>TO-263 | KTT             | 5    | 50          | Pb-Free<br>(RoHS)          | CU SN            | Level-2-260C-1 YEAR          |
| BUF634P          | ACTIVE                | PDIP             | P               | 8    | 50          | Green (RoHS &<br>no Sb/Br) | CU NIPDAU        | N / A for Pkg Type           |
| BUF634PG4        | ACTIVE                | PDIP             | P               | 8    | 50          | Green (RoHS &<br>no Sb/Br) | CU NIPDAU        | N / A for Pkg Type           |
| BUF634T          | ACTIVE                | TO-220           | KC              | 5    | 49          | Green (RoHS &<br>no Sb/Br) | CU SN            | N / A for Pkg Type           |
| BUF634TG3        | ACTIVE                | TO-220           | KC              | 5    | 49          | Green (RoHS &<br>no Sb/Br) | CU SN            | N / A for Pkg Type           |
| BUF634U          | ACTIVE                | SOIC             | D               | 8    | 75          | Green (RoHS &<br>no Sb/Br) | CU NIPDAU        | Level-3-260C-168 HR          |
| BUF634U/2K5      | ACTIVE                | SOIC             | D               | 8    | 2500        | Green (RoHS &<br>no Sb/Br) | CU NIPDAU        | Level-3-260C-168 HR          |
| BUF634U/2K5E4    | ACTIVE                | SOIC             | D               | 8    | 2500        | Green (RoHS &<br>no Sb/Br) | CU NIPDAU        | Level-3-260C-168 HR          |
| BUF634UE4        | ACTIVE                | SOIC             | D               | 8    | 75          | Green (RoHS &<br>no Sb/Br) | CU NIPDAU        | Level-3-260C-168 HR          |

<sup>(1)</sup> The marketing status values are defined as follows:

**ACTIVE:** Product device recommended for new designs.

**LIFEBUY:** TI has announced that the device will be discontinued, and a lifetime-buy period is in effect.

**NRND:** Not recommended for new designs. Device is in production to support existing customers, but TI does not recommend using this part in a new design.

**PREVIEW:** Device has been announced but is not in production. Samples may or may not be available.

**OBSOLETE:** TI has discontinued the production of the device.

<sup>(2)</sup> Eco Plan - The planned eco-friendly classification: Pb-Free (RoHS), Pb-Free (RoHS Exempt), or Green (RoHS & no Sb/Br) - please check <http://www.ti.com/productcontent> for the latest availability information and additional product content details.

**TBD:** The Pb-Free/Green conversion plan has not been defined.

**Pb-Free (RoHS):** TI's terms "Lead-Free" or "Pb-Free" mean semiconductor products that are compatible with the current RoHS requirements for all 6 substances, including the requirement that lead not exceed 0.1% by weight in homogeneous materials. Where designed to be soldered at high temperatures, TI Pb-Free products are suitable for use in specified lead-free processes.

**Pb-Free (RoHS Exempt):** This component has a RoHS exemption for either 1) lead-based flip-chip solder bumps used between the die and package, or 2) lead-based die adhesive used between the die and leadframe. The component is otherwise considered Pb-Free (RoHS compatible) as defined above.

**Green (RoHS & no Sb/Br):** TI defines "Green" to mean Pb-Free (RoHS compatible), and free of Bromine (Br) and Antimony (Sb) based flame retardants (Br or Sb do not exceed 0.1% by weight in homogeneous material)

<sup>(3)</sup> MSL, Peak Temp. -- The Moisture Sensitivity Level rating according to the JEDEC industry standard classifications, and peak solder temperature.

**Important Information and Disclaimer:** The information provided on this page represents TI's knowledge and belief as of the date that it is provided. TI bases its knowledge and belief on information provided by third parties, and makes no representation or warranty as to the accuracy of such information. Efforts are underway to better integrate information from third parties. TI has taken and continues to take reasonable steps to provide representative and accurate information but may not have conducted destructive testing or chemical analysis on

incoming materials and chemicals. TI and TI suppliers consider certain information to be proprietary, and thus CAS numbers and other limited information may not be available for release.

In no event shall TI's liability arising out of such information exceed the total purchase price of the TI part(s) at issue in this document sold by TI to Customer on an annual basis.

**TAPE AND REEL INFORMATION**



**QUADRANT ASSIGNMENTS FOR PIN 1 ORIENTATION IN TAPE**



\*All dimensions are nominal

| Device      | Package Type | Package Drawing | Pins | SPQ  | Reel Diameter (mm) | Reel Width W1 (mm) | A0 (mm) | B0 (mm) | K0 (mm) | P1 (mm) | W (mm) | Pin1 Quadrant |
|-------------|--------------|-----------------|------|------|--------------------|--------------------|---------|---------|---------|---------|--------|---------------|
| BUF634U/2K5 | SOIC         | D               | 8    | 2500 | 330.0              | 12.4               | 6.4     | 5.2     | 2.1     | 8.0     | 12.0   | Q1            |

**TAPE AND REEL BOX DIMENSIONS**



\*All dimensions are nominal

| Device      | Package Type | Package Drawing | Pins | SPQ  | Length (mm) | Width (mm) | Height (mm) |
|-------------|--------------|-----------------|------|------|-------------|------------|-------------|
| BUF634U/2K5 | SOIC         | D               | 8    | 2500 | 346.0       | 346.0      | 29.0        |

## IMPORTANT NOTICE

Texas Instruments Incorporated and its subsidiaries (TI) reserve the right to make corrections, modifications, enhancements, improvements, and other changes to its products and services at any time and to discontinue any product or service without notice. Customers should obtain the latest relevant information before placing orders and should verify that such information is current and complete. All products are sold subject to TI's terms and conditions of sale supplied at the time of order acknowledgment.

TI warrants performance of its hardware products to the specifications applicable at the time of sale in accordance with TI's standard warranty. Testing and other quality control techniques are used to the extent TI deems necessary to support this warranty. Except where mandated by government requirements, testing of all parameters of each product is not necessarily performed.

TI assumes no liability for applications assistance or customer product design. Customers are responsible for their products and applications using TI components. To minimize the risks associated with customer products and applications, customers should provide adequate design and operating safeguards.

TI does not warrant or represent that any license, either express or implied, is granted under any TI patent right, copyright, mask work right, or other TI intellectual property right relating to any combination, machine, or process in which TI products or services are used. Information published by TI regarding third-party products or services does not constitute a license from TI to use such products or services or a warranty or endorsement thereof. Use of such information may require a license from a third party under the patents or other intellectual property of the third party, or a license from TI under the patents or other intellectual property of TI.

Reproduction of TI information in TI data books or data sheets is permissible only if reproduction is without alteration and is accompanied by all associated warranties, conditions, limitations, and notices. Reproduction of this information with alteration is an unfair and deceptive business practice. TI is not responsible or liable for such altered documentation. Information of third parties may be subject to additional restrictions.

Resale of TI products or services with statements different from or beyond the parameters stated by TI for that product or service voids all express and any implied warranties for the associated TI product or service and is an unfair and deceptive business practice. TI is not responsible or liable for any such statements.

TI products are not authorized for use in safety-critical applications (such as life support) where a failure of the TI product would reasonably be expected to cause severe personal injury or death, unless officers of the parties have executed an agreement specifically governing such use. Buyers represent that they have all necessary expertise in the safety and regulatory ramifications of their applications, and acknowledge and agree that they are solely responsible for all legal, regulatory and safety-related requirements concerning their products and any use of TI products in such safety-critical applications, notwithstanding any applications-related information or support that may be provided by TI. Further, Buyers must fully indemnify TI and its representatives against any damages arising out of the use of TI products in such safety-critical applications.

TI products are neither designed nor intended for use in military/aerospace applications or environments unless the TI products are specifically designated by TI as military-grade or "enhanced plastic." Only products designated by TI as military-grade meet military specifications. Buyers acknowledge and agree that any such use of TI products which TI has not designated as military-grade is solely at the Buyer's risk, and that they are solely responsible for compliance with all legal and regulatory requirements in connection with such use.

TI products are neither designed nor intended for use in automotive applications or environments unless the specific TI products are designated by TI as compliant with ISO/TS 16949 requirements. Buyers acknowledge and agree that, if they use any non-designated products in automotive applications, TI will not be responsible for any failure to meet such requirements.

Following are URLs where you can obtain information on other Texas Instruments products and application solutions:

### Products

|                             |  |
|-----------------------------|--|
| Amplifiers                  | <a href="http://amplifier.ti.com">amplifier.ti.com</a>             |
| Data Converters             | <a href="http://dataconverter.ti.com">dataconverter.ti.com</a>     |
| DSP                         | <a href="http://dsp.ti.com">dsp.ti.com</a>                         |
| Clocks and Timers           | <a href="http://www.ti.com/clocks">www.ti.com/clocks</a>           |
| Interface                   | <a href="http://interface.ti.com">interface.ti.com</a>             |
| Logic                       | <a href="http://logic.ti.com">logic.ti.com</a>                     |
| Power Mgmt                  | <a href="http://power.ti.com">power.ti.com</a>                     |
| Microcontrollers            | <a href="http://microcontroller.ti.com">microcontroller.ti.com</a> |
| RFID                        | <a href="http://www.ti-rfid.com">www.ti-rfid.com</a>               |
| RF/IF and ZigBee® Solutions | <a href="http://www.ti.com/lprf">www.ti.com/lprf</a>               |

### Applications

|                    |  |
|--------------------|--|
| Audio              | <a href="http://www.ti.com/audio">www.ti.com/audio</a>                   |
| Automotive         | <a href="http://www.ti.com/automotive">www.ti.com/automotive</a>         |
| Broadband          | <a href="http://www.ti.com/broadband">www.ti.com/broadband</a>           |
| Digital Control    | <a href="http://www.ti.com/digitalcontrol">www.ti.com/digitalcontrol</a> |
| Medical            | <a href="http://www.ti.com/medical">www.ti.com/medical</a>               |
| Military           | <a href="http://www.ti.com/military">www.ti.com/military</a>             |
| Optical Networking | <a href="http://www.ti.com/opticalnetwork">www.ti.com/opticalnetwork</a> |
| Security           | <a href="http://www.ti.com/security">www.ti.com/security</a>             |
| Telephony          | <a href="http://www.ti.com/telephony">www.ti.com/telephony</a>           |
| Video & Imaging    | <a href="http://www.ti.com/video">www.ti.com/video</a>                   |
| Wireless           | <a href="http://www.ti.com/wireless">www.ti.com/wireless</a>             |

Mailing Address: Texas Instruments, Post Office Box 655303, Dallas, Texas 75265  
Copyright © 2008, Texas Instruments Incorporated